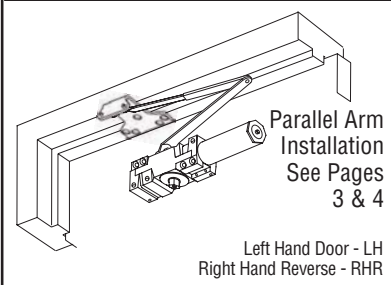
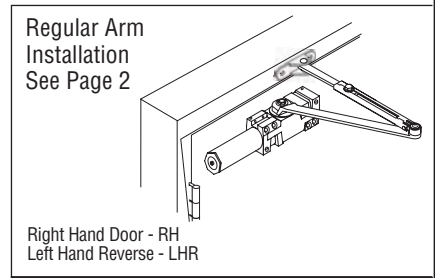


CAUTION

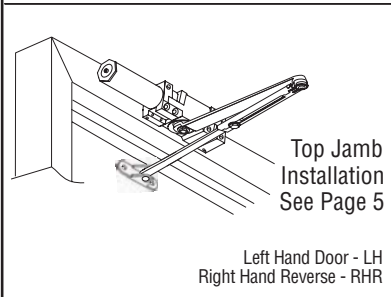
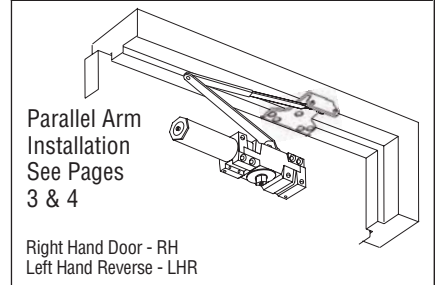
An incorrectly installed or improperly adjusted door closer can cause property damage or personal injury. These installation instructions should be followed to avoid the possibility of misapplication or misadjustment.

CAUTION



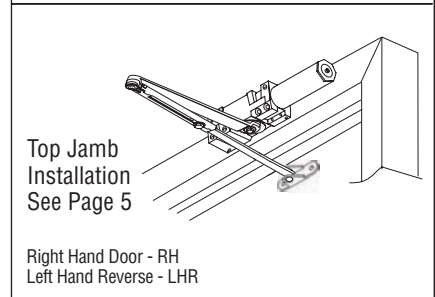
NOTE: For special applications, a separate door and frame preparation template is packed with these instructions. Use this instruction sheet for installation sequence and closer adjustments only.

- Dimensions are based on standard doors and frames with 1/8" clearance, 5/8" stops, and square edge doors.
- Door and frame must be properly reinforced.
- Non-Handed Door Closers.
- A mounting plate may be required for some applications.



NOTE: For Top Jamb Application

A longer connecting rod is required for reveals greater than 3" (76mm)



• These door closers should **NOT** be installed on the exposed side (weather side) of exterior doors.

TOOLS REQUIRED

METAL

#7
1/4" - 20

WOOD

3/16"

**Self Drilling Screws
Wood and Metal**

For wood, drill 3/16" hole

Machine Screws

#7 Drill, 1/4" - 20 Tap

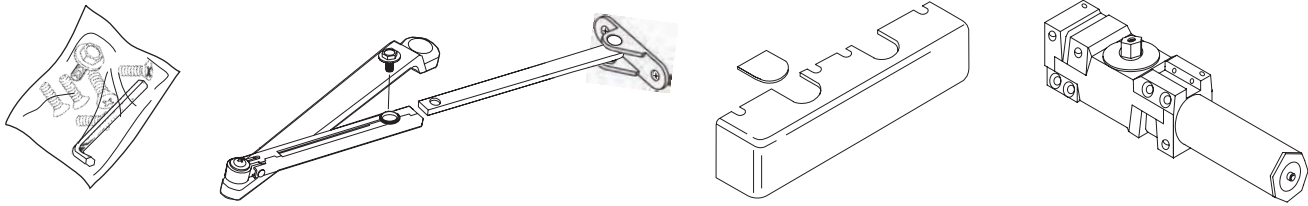
Sleeve Nut and Bolt

Drill 9/32" thru from Closer Side
3/8" Drill other Side

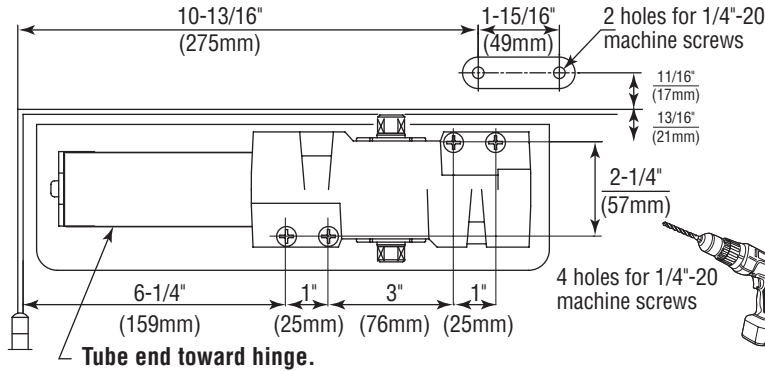
Check building and fire codes to see if your application requires the use of sleeve nuts and bolts.

COMPONENT PARTS

1. PARTS



2. MARK AND DRILL HOLES (Right Hand Shown)

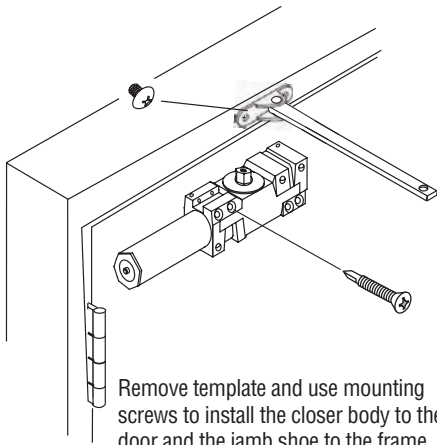


120° Door Opening

An optional mounting plate is required when top rail is less than 3-3/4" (95 mm). Plate requires 2" (51mm) minimum top rail.

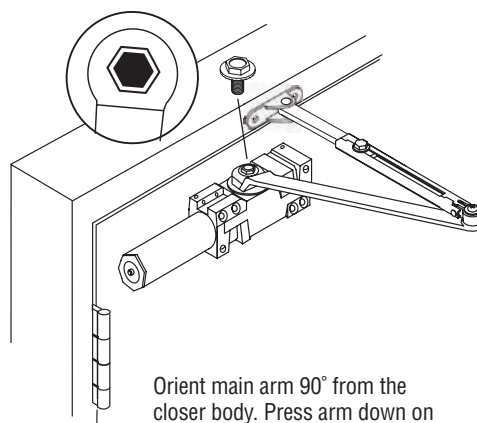
Select hand of door and degree of door opening. Fold template on the hinge edge of door line. Match this line with the hinge edge of door and attach template to door. Be sure frame line on template lines up with the bottom edge of frame face. Mark, prep and drill/tap 1/4"-20 holes for closer body and jamb shoe mounting screws.

3. INSTALL CLOSER



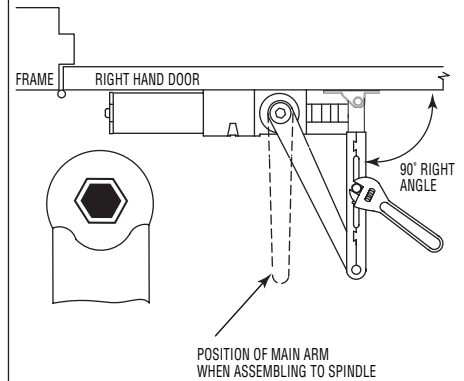
Remove template and use mounting screws to install the closer body to the door and the jamb shoe to the frame. Closer body should be oriented so that the tube end of closer is toward the hinge stile of door.

4. INSTALL MAIN ARM



Orient main arm 90° from the closer body. Press arm down on spindle and secure with spindle bolt.

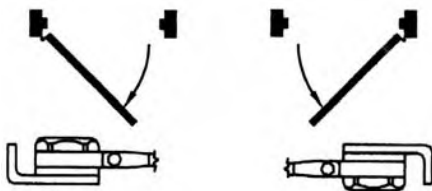
5. INSTALL MAIN ARM AND CONNECTING ROD



Slide connecting rod into forearm of main arm. Rotate main arm until connecting rod is at a 90° angle to frame. While holding arm in this position, tighten down forearm screw.

6. OPTIONAL HOLD-OPEN ARM

Identify direction of hold-open nut according to hand of door and mount arm.



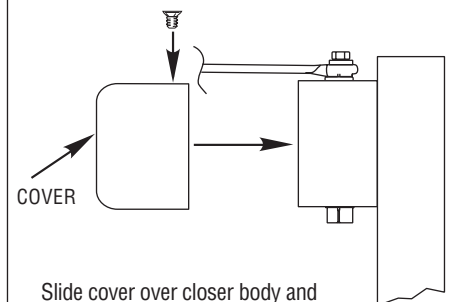
Adjust by loosening hold-open nut, then open door to desired position and tighten hold-open nut securely.

7. ADJUSTMENTS

See Adjustments on Page 6 for setting Spring Power, Sweep Speed, Latch Speed, and Backcheck.

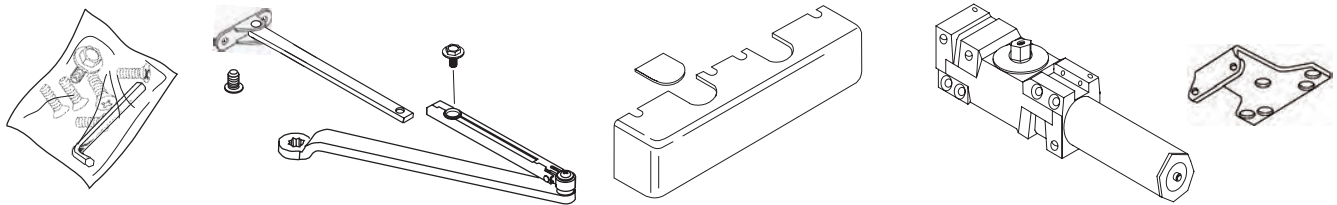
NOTE: Do not fully unscrew valves or hydraulic fluid will leak and closer will no longer be functional.

8. INSTALL COVER

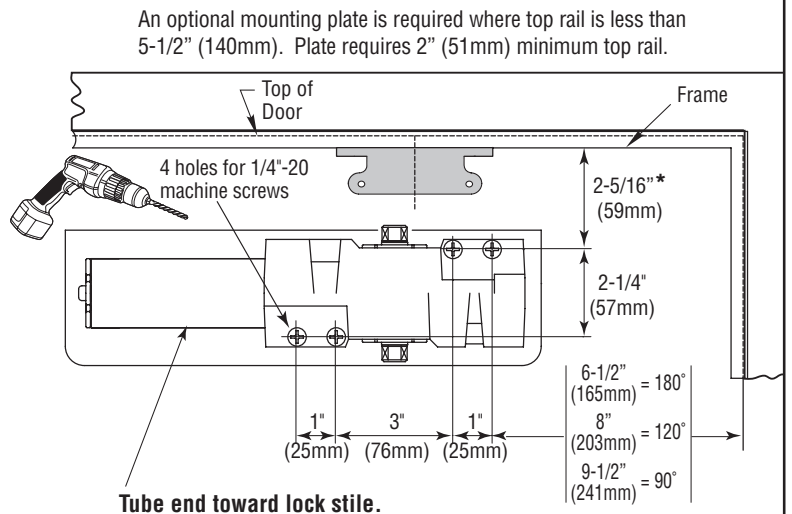
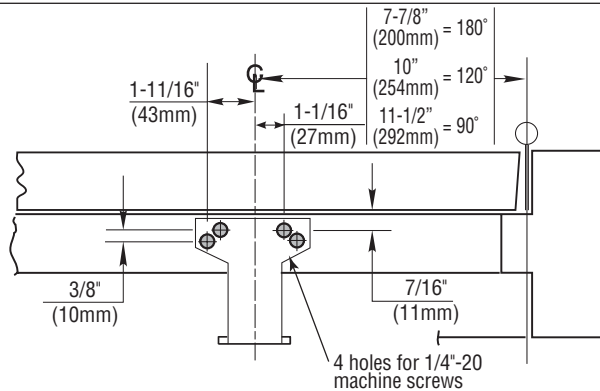


Slide cover over closer body and secure by tightening screws.

1. PARTS



2. MARK AND DRILL HOLES (Right Hand Shown)



Select hand of door. Fold template on the hinge edge of door line. Fold or cut upper corner illustrated on template and align template with the hinge edge of door. At the "Frame Stop Line" fold toward you and attach template to door. Mark, prep and drill/tap 1/4"-20 holes for closer body and parallel arm bracket mounting screws.

*Measured from frame Stop or pre-mounted jamb weatherstripping. Install before measuring closer hole locations.

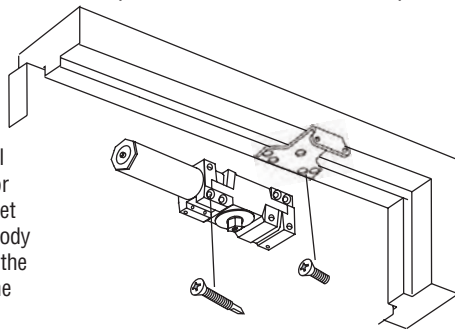
An optional mounting plate is required where top rail is less than 5-1/2" (140mm). Plate requires 2" (51mm) minimum top rail.

Tube end toward lock stile.

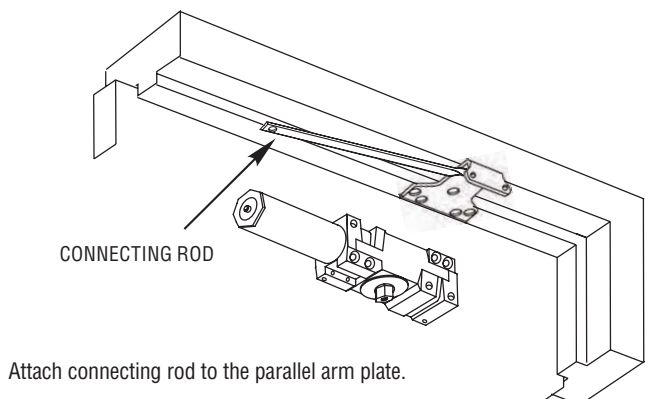
3. INSTALL CLOSER

BEFORE INSTALLATION:
 Turn delayed action selector valve (found on back side of closer) all the way in (clockwise).

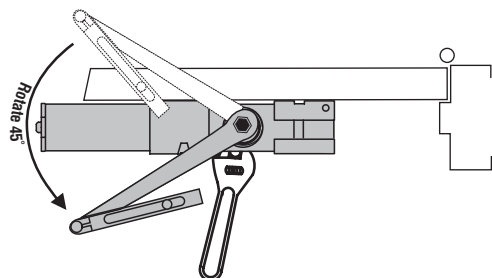
Remove template and use mounting screws to install the closer body to the door and the parallel arm bracket to the frame soffit. Closer body should be oriented so that the tube of closer is toward the lock stile of door.



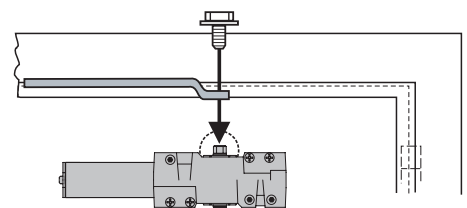
4. INSTALL CONNECTING ROD



5. INSTALL MAIN ARM

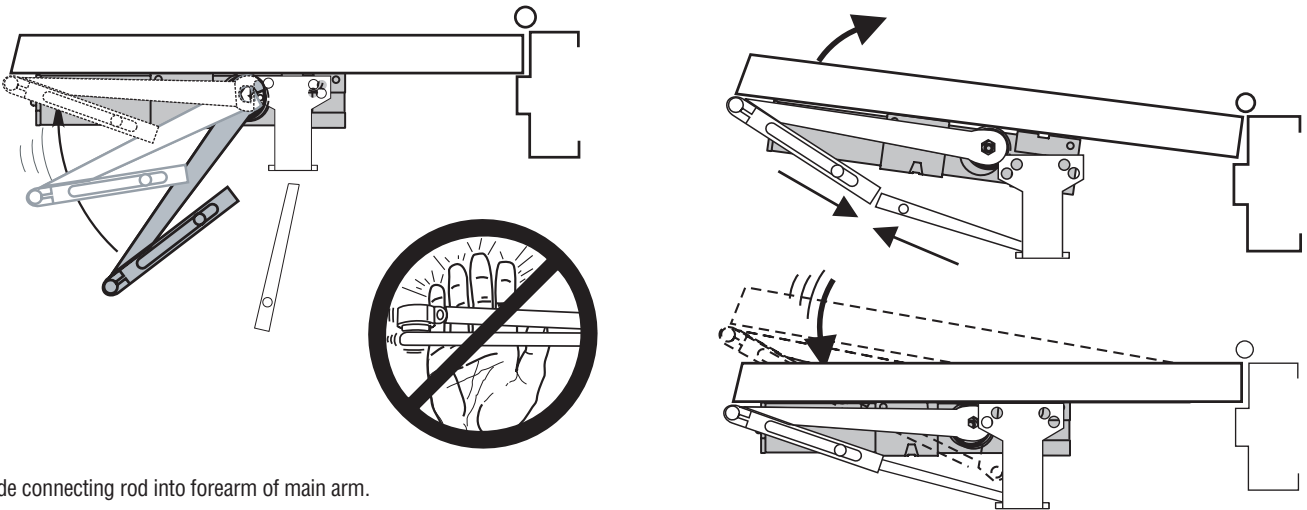


Use adjustable wrench to rotate spindle 45° counterclockwise for Right Hand Door or clockwise for Left Hand Door. Place main arm on spindle so that it is 45° or less from the tube end of the closer body. Secure main arm and spindle by tightening spindle bolt.



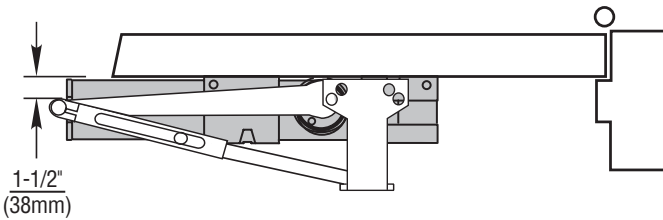
6. INSTALL MAIN ARM AND CONNECTING ROD

a)



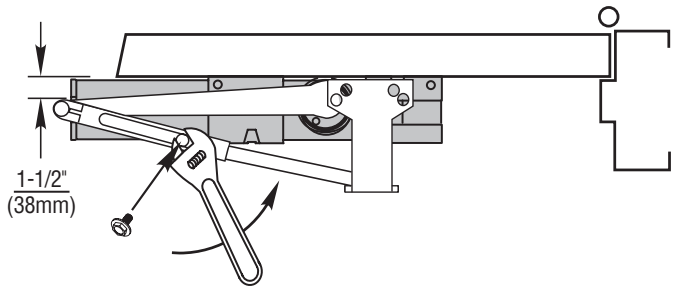
Slide connecting rod into forearm of main arm.

b)



Rotate main arm until the pivot point is 1-1/2" from door surface.

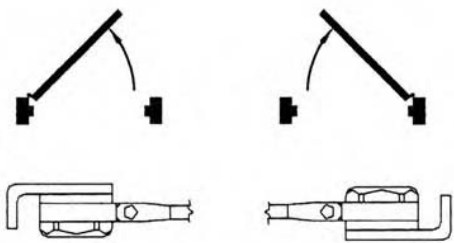
c)



While holding arm in this position, tighten down forearm screw.

7. OPTIONAL HOLD-OPEN ARM

Identify direction of hold-open nut according to hand of door and mount arm.



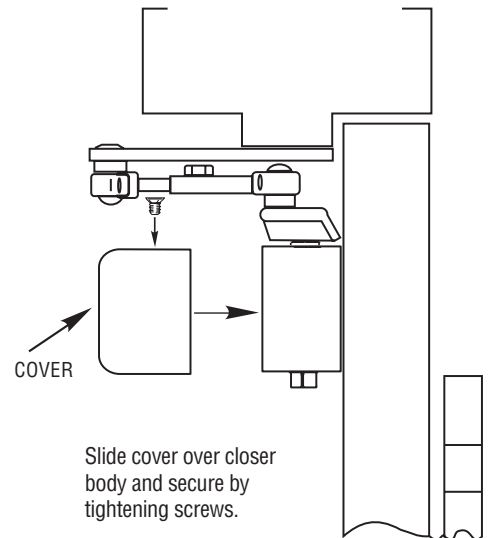
Adjust by loosening hold-open nut, then open door to desired position and tighten hold-open nut securely.

8. ADJUSTMENTS

See Adjustments on Page 6 for setting Spring Power, Sweep Speed, Latch Speed, and Backcheck.

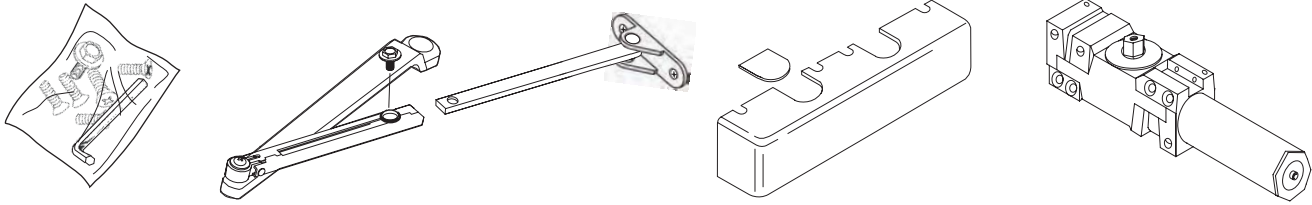
NOTE: Do not fully unscrew valves or hydraulic fluid will leak and closer will no longer be functional.

9. INSTALL COVER

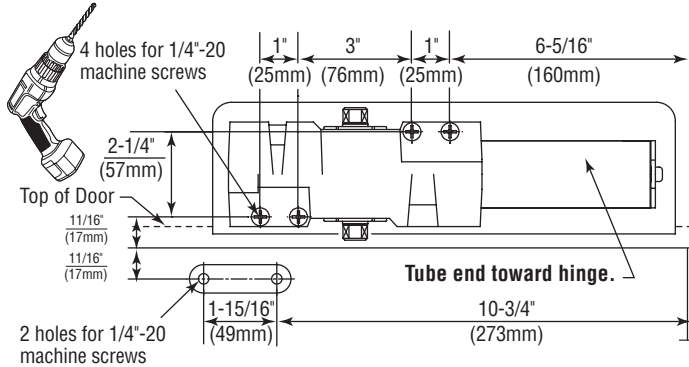


Slide cover over closer body and secure by tightening screws.

1. PARTS



2. MARK AND DRILL HOLES (Right Hand Shown)

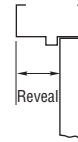


An optional mounting plate is required where the head frame face is less than 3-1/2" (89mm). Plate requires 1-3/4" (44mm) minimum head frame.

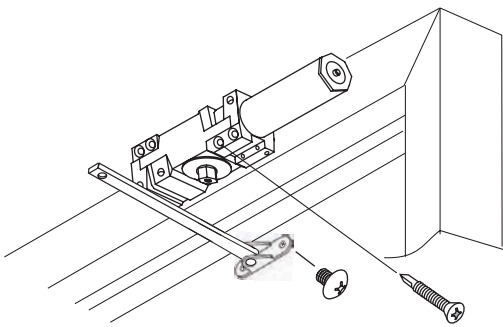
120° Door Opening

Select hand of door. Separate template sections "A" and "B". Fold template on the hinge edge of door line. Match this line with the hinge edge of door and attach template to door. Be sure "Frame" line on template lines up with the top edge of door. Using a square, project "Closer Projection Line" on section "A" of template onto frame and use to align and attach section "B". Be sure to align bottom edge of section "B" with edge of frame. Mark, prep and drill/tap 1/4"-20 holes for connecting rod shoe and closer body mounting screws.

A longer connecting rod is required for reveals greater than 3" (76mm)

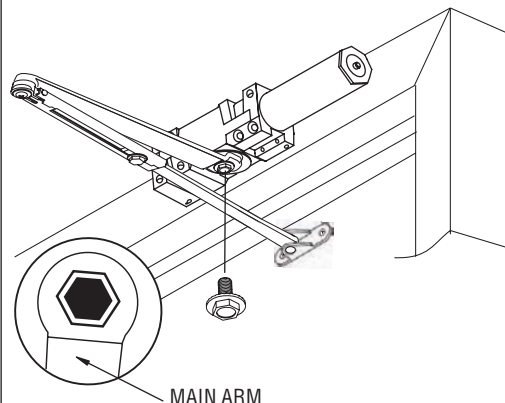


3. INSTALL CLOSER



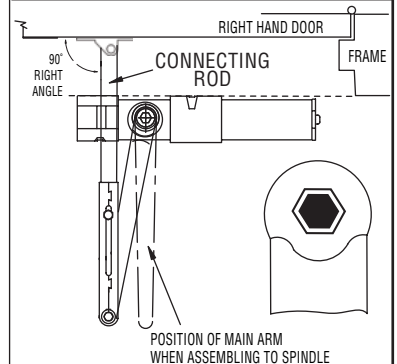
Remove template and use mounting screws to install the closer body to the top jamb and the connecting rod shoe to the door. Closer body should be oriented so that the tube end of closer is toward the hinge stile.

4. INSTALL MAIN ARM



Orient main arm 90° from the closer body. Press arm down on spindle and secure with spindle bolt.

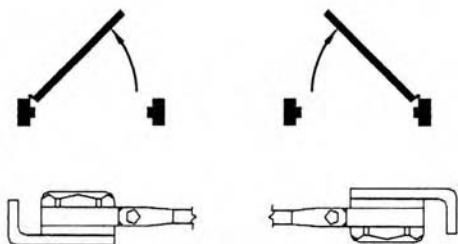
5. INSTALL MAIN ARM AND CONNECTING ROD



Slide connecting rod into forearm of main arm. Rotate main arm until connecting rod is at a 90° angle to frame. While holding arm in this position, tighten down forearm screw.

6. OPTIONAL HOLD-OPEN ARM

Identify direction of hold-open nut according to hand of door and mount arm.



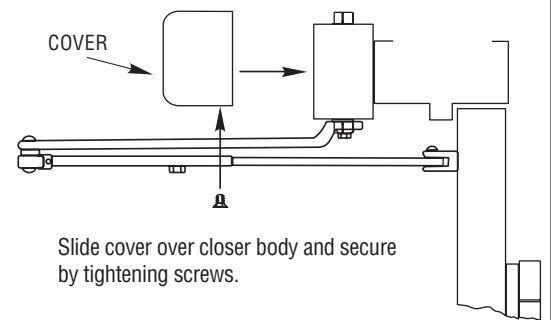
Adjust by loosening hold-open nut, then open door to desired position and tighten hold-open nut securely.

7. ADJUSTMENTS

See Adjustments on Page 6 for setting Spring Power, Sweep Speed, Latch Speed, and Backcheck.

NOTE: Do not fully unscrew valves or hydraulic fluid will leak and closer will no longer be functional.

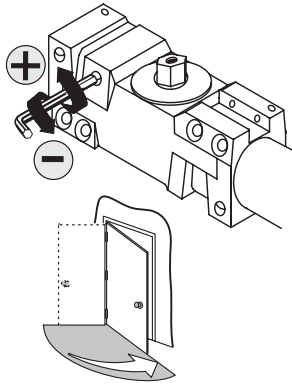
8. INSTALL COVER



Slide cover over closer body and secure by tightening screws.

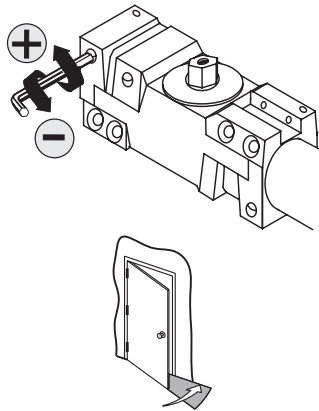
ADJUSTMENTS (USE 5/32" HEX WRENCH FOR THESE ADJUSTMENTS)

SWEEP SPEED



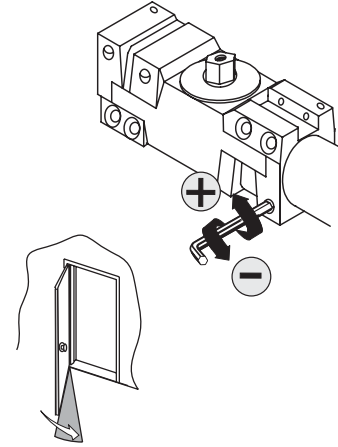
Note: Adjust closing time speed from 50 to 0. Greater closing times may be required for elderly or handicapped.

LATCH SPEED



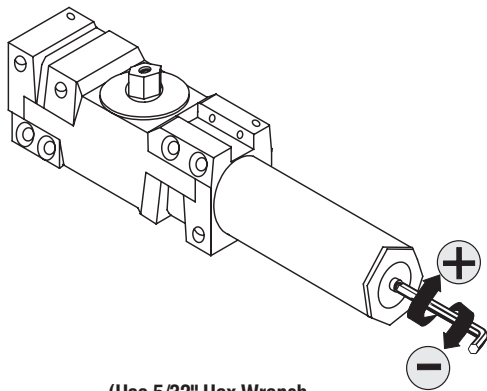
Adjust latch speed so door completely closes and latches.

DELAY ACTION



Adjust delay action accordingly to obtain desired delay time from 90 to 50.

SPRING POWER ADJUST (Sizing in accordance to BHMA/ANSI 156.4)



(Use 5/32" Hex Wrench for this adjustment)

TABLE OF SIZES

Closer is shipped set to size 3. To change the closer size, use a hex wrench to rotate the spring power adjust. Follow the chart to make the correct numbers of 360° turns to set the closer size appropriately for the door application.

The number of turns is an approximation and does not account for environmental or door hardware affects.

cw = clockwise
ccw = counterclockwise

Exterior (and Vestibule) Door Width

Minimum Door Width (24")
24" - 30" - 36" - 42" - 48"
(610mm) (762mm) (914mm) (1067mm) (1219mm)

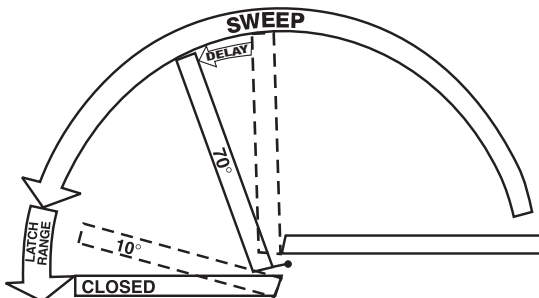
Regular Arm & Top Jamb	Size 3 (0)	Size 4 (4cw)	Size 5 (8cw)	Size 6 (12cw)
	Size 3 (4cw)	Size 4 (8cw)	Size 5 (12cw)	
Parallel Arm	Size 3 (4cw)	Size 4 (8cw)	Size 5 (12cw)	

Interior Door Width

Minimum Door Width (24")
24" - 30" - 34" - 38" - 48" - 54" - 60"
(610mm) (762mm) (865mm) (965mm) (1219mm) (1372mm) (1524mm)

Regular Arm & Top Jamb	Size 1 (8ccw)	Size 2 (4ccw)	Size 3 (0)	Size 4 (4cw)	Size 5 (8cw)	Size 6 (12cw)
	Size 1 (4ccw)	Size 2 (0)	Size 3 (4cw)	Size 4 (8cw)	Size 5 (12cw)	
Parallel Arm	Size 1 (4ccw)	Size 2 (0)	Size 3 (4cw)	Size 4 (8cw)	Size 5 (12cw)	

ADJUSTMENT DIAGRAM



SHOE PLACEMENT

Flip connecting rod as shown to increase closer strength.

